




Smart Dive Computer

• TABLE OF CONTENTS

1. INTRODUCTION	3		
1.1. GLOSSARY	3		
1.2. OPERATING MODES	4		
1.3. USER-REPLACEABLE BATTERY	4		
1.4. CONNECTING SMART TO A PC OR MAC	4		
1.5. BUTTON OPERATION	4		
1.6. WATCH DISPLAY	6		
2. MENUS, SETTINGS AND FUNCTIONS	6		
2.1. CHRONO	6		
2.2. PRE DIVE	6		
2.3. MODE	6		
2.4. SET	7		
2.4.1. SET DIVE	7		
2.4.1.1. LGHT (BACKLIGHT)	7		
2.4.1.2. P FCT (P FACTOR)	8		
2.4.1.3. ALT (ALTITUDE)	8		
2.4.1.4. WATR (WATER)	8		
2.4.1.5. UN:TS (UNITS)	8		
2.4.1.6. FAST (FAST ASCENT)	8		
2.4.1.7. ALRM (ALARMS)	8		
2.4.1.8. ERASE (ERASE DESATURATION)	8		
2.4.1.9. DEEP	8		
2.4.2. SET TIME	9		
2.5. LOGBOOK	9		
2.6. DIVE PLANNER	9		
2.7. PC	9		
2.8. INFO	9		
3. DIVING WITH SMART	10		
3.1. A FEW WORDS ABOUT NITROX	10		
3.2. ALARMS	10		
3.2.1. ASCENT RATE	10		
3.2.2. MOD/PPO ₂	10		
3.2.3. CNS = 75%	10		
3.2.4. MISSED DECOMPRESSION STOP	11		
3.2.4.1. MISSED DECO STOP MODE	11		
		3.2.5. LOW BATTERY	11
		3.3. DISPLAY INFORMATION	11
		3.4. AFTER THE DIVE	12
		3.5. DIVING WITH MORE THAN ONE GAS MIXTURE	12
		3.5.1. SETTING MORE THAN ONE GAS	13
		3.5.2. SWITCHING GAS	13
		3.5.3. SPECIAL SITUATIONS	13
		3.5.3.1. SWITCHING BACK TO A GAS MIXTURE WITH LOWER OXYGEN CONCENTRATION	13
		3.5.3.2. SUBMERGING BELOW THE MOD AFTER A GAS SWITCH	13
		3.6. BOTTOM TIMER MODE	13
		3.6.1. DIVE VIOLATION INDUCED BOTTOM TIMER MODE	14
		3.7. FREE DIVE MODE	14
		3.7.1. SETTINGS	14
		3.7.2. USING SMART ON A FREE DIVE	14
		3.7.2.1. SURFACING BETWEEN IMMERSIONS	14
		3.7.3. LOGBOOK IN FREE DIVE MODE	14
		4. TAKING CARE OF SMART	15
		4.1. TECHNICAL INFORMATION	15
		4.2. MAINTENANCE	15
		4.2.1. REPLACING THE BATTERY IN SMART	15
		4.3. WARRANTY	16
		4.4. WARRANTY EXCLUSIONS	16
		4.5. HOW TO FIND THE PRODUCT SERIAL NUMBER	16
		5. DISPOSAL OF THE DEVICE	16

• 1. INTRODUCTION

1.1. GLOSSARY

SLOW DOWN! :	Symbolizes uncontrolled ascent violation.
 :	Symbolizes decompression stop violation.
ASC:	Total ascent time, the time it takes to perform the ascent from your current depth to the surface in a decompression dive, including all decompression stops and assuming an ascent rate of 10m/min or 33ft/min.
AVG:	Average depth, calculated from the beginning of the dive.
CNS:	Central Nervous System. CNS% is used to quantify toxic effects of oxygen.
DESAT:	Desaturation time. The time needed for the body to eliminate the nitrogen taken up during diving.
Gas switching:	The act of changing from one breathing gas to another.
Max depth:	Maximum depth attained during the dive.
MOD:	Maximum Operating Depth. This is the depth at which the partial pressure of oxygen (ppO ₂) reaches the maximum allowed level (ppO ₂ max). Diving deeper than the MOD will expose the diver to unsafe ppO ₂ levels.
Multigas:	Refers to a dive in which more than one breathing gas is used (air and/or Nitrox).
Nitrox:	A breathing mix made of oxygen and nitrogen, with the oxygen concentration being 22% or higher.
NO FLY / ✂ :	Minimum amount of time the diver should wait before taking a plane.
No deco time:	This is the time that you can stay at the current depth and still make a direct ascent to the surface without having to perform mandatory decompression stops.
O₂:	Oxygen.
O₂%:	Oxygen concentration used by the computer in all calculations.
P Factor:	Personalization factors, which allow the user to select between the standard decompression algorithm (P0) and an increasingly more conservative one (P1, P2).
ppO₂:	Partial pressure of oxygen. This is the pressure of the oxygen in the breathing mix. It is a function of depth and oxygen concentration. A ppO ₂ higher than 1.6bar is considered dangerous.
ppO₂max:	The maximum allowed value for ppO ₂ . Together with the oxygen concentration it defines the MOD.
Switch:	The depth at which the diver plans to switch to a higher oxygen concentration mix while using the multigas option.
SURF INT:	Surface interval.

1.2. OPERATING MODES

The functions of the Smart computer can be grouped into two categories, each corresponding to a specific mode of operation:

- watch mode: Smart is dry on the surface. In this mode you can use it as a normal watch. You can also change settings, review your logbook, use the dive planner, see remaining desaturation after a dive, download to PC and much more;
- dive mode: Smart monitors depth, time, temperature and performs all decompression calculations; dive mode itself can be broken down into 4 sub categories:
 - pre-dive (Smart is on the surface but actively monitoring ambient pressure, so that it can begin to calculate a dive the instant it is submerged below 1.2m/4ft);
 - dive
 - surfacing (Smart is on the surface at the end of a dive; dive time calculation is halted but if the diver submerges within three minutes the dive is resumed including the time spent on the surface);
 - post-dive (after the three minutes of surfacing mode, Smart closes the logbook and reverts to a display showing desaturation time, no-fly time and surface interval; this lasts until the desaturation and the no-fly time both have been reduced to zero).

1.3. USER-REPLACEABLE BATTERY

Smart uses a CR2430 user-replaceable battery. See section 4.2.1 for instructions on how to replace it. Good quality batteries should suffice for approx 200-300 dives over a two-year time span, depending on the usage of the backlight and the temperature of the water. Diving in cold water, usage of the backlight and of the beeper increases battery consumption. Refer to section 4.1 for more details on battery life.

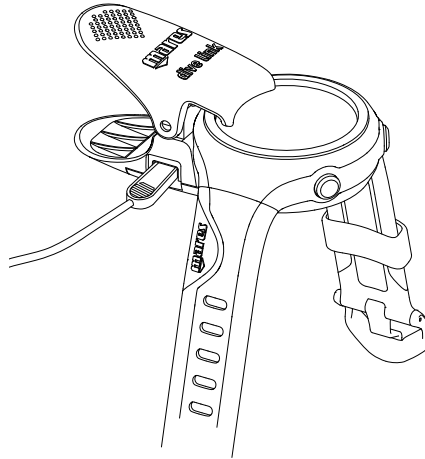
The display alerts you of the status of the battery. The three possible situations are described as follows:

- battery symbol not visible in the pre-dive and dive display: the remaining battery charge is adequate for diving;
- steady battery symbol on the display (dive and pre-dive): there is enough charge for a few more dives, but you should consider replacing the battery at the next opportunity;
- blinking battery symbol on the display: the battery is too weak for diving. If this happens during a dive, you must not perform any more dives before replacing the battery. If you see the blinking battery symbol on the surface, be aware that Smart will not function as a dive computer and will not turn on if submerged.

The level of the battery charge can also be found on the "INFO" page (see section 2.8).

1.4. CONNECTING SMART TO A PC OR MAC

To connect Smart to a PC or Macintosh computer, use the optional clip and the USB cable and Dive Organizer to download your dives to a PC or Divers' Diary to download your dives to a Mac. Both software programs can be downloaded from www.mares.com.



1.5. BUTTON OPERATION

Smart has 2 buttons, labelled **up/enter** and **down/esc**. Each button can be pressed and released to perform one function (**up** and **down**) and pressed and held for one second to perform a different function (**enter** and **esc**). We'll refer to them as **upper** and **lower** button in the remainder of this manual.

On the surface pressing and releasing either button allows to scroll through menus, settings and values. Pressing and holding the upper button enters into a menu or confirms a setting, while pressing and holding the lower button exits from a menu and goes up one level.

During the dive, the upper button modifies the top row (depth information) whereas the lower button modifies the lower right corner of the display. From the main watch display and in dive mode, press and hold the lower button (**ESC**) to activate the backlight.

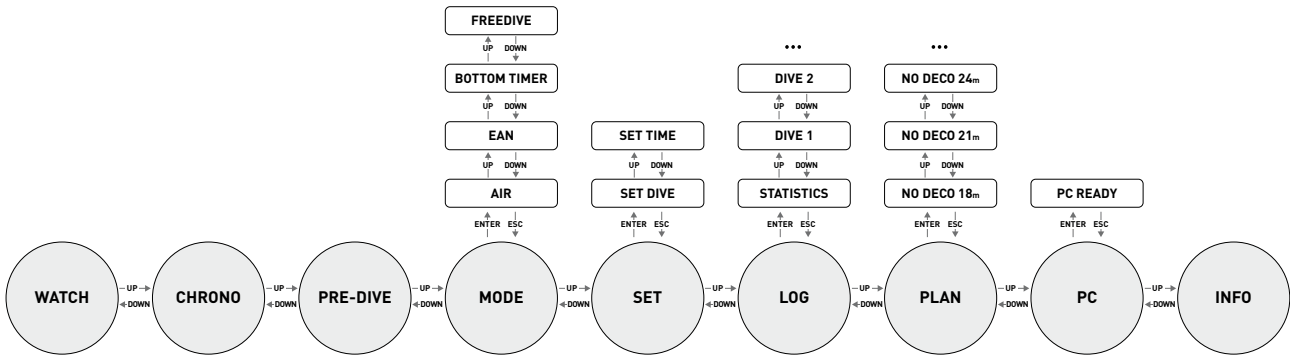
An overview of the button function both in surface mode and during a dive is presented here below.

	PRESS	PRESS AND HOLD
WATCH	Scroll up or increase by 1	Enter a submenu or confirm a setting
DIVE	Modify top row	Reset Stopwatch (Multigas only: - Activate gas switch process - Confirm gas switch)

	PRESS	PRESS AND HOLD
WATCH	Scroll down or decrease by 1	From time of day display: backlight From all others: go back one level
DIVE	Modify bottom row	Backlight

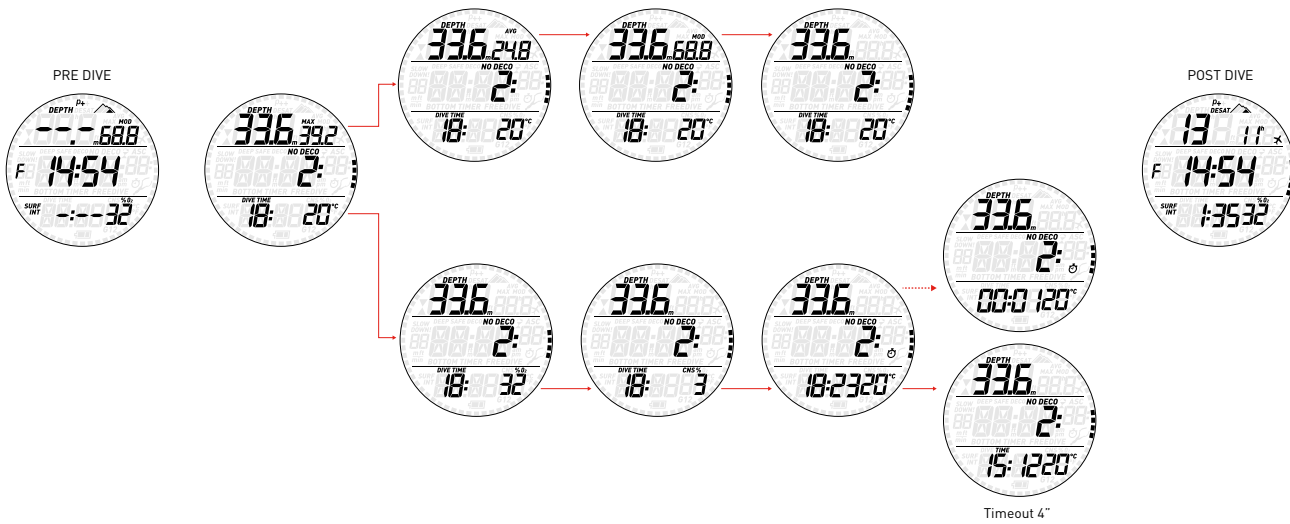
SURFACE MODE

- press
- > press and hold



DIVE MODE

- press
- > press and hold



1.6. WATCH DISPLAY

The watch display is the "home" display of Smart. In this mode, the time of day is shown in the middle row of the display while date, temperature, seconds, wake-up time and second time can be displayed at the bottom by pressing the lower button. When the wake-up time is displayed, pressing and holding the upper button turns the wake-up alarm **on** or **off**. Note that the temperature reading will be affected by your body heat while you are wearing the watch. A growing or diminishing ring of 60 dots around the perimeter of the display represents the seconds.



When the second time is displayed, pressing and holding the upper button switches main time and second time.



• 2. MENUS, SETTINGS AND FUNCTIONS

This chapter describes in detail all menus, setting and functions of the Smart dive computer.

From the time of day display, pressing the upper button allows you to scroll through the following sequence of menus (note that once inside the menu loop, pressing the lower button scrolls through the menus in reverse sequence):

- **CHRONO**: allows you to operate Smart like a normal stopwatch;
- **PRE DIVE**: places Smart in the ready-to-dive mode;
- **MODE**: allows you to set the computer to air, nitrox, bottom timer mode or free diving mode (apnea);
- **SET**: allows you to view and change all settings relating to the dive computer (SEt DIVE) and to the watch (SEt TIME).
- **LOG**: allows you to access the detailed history of the dives performed;
- **PLAN**: allows you to view no deco times as a function of depth based on your current nitrogen load;
- **PC**: allows you to download dives to a PC or Mac
- **INFO**: allows you to view information about software and hardware of your Smart.

The **pre-dive** mode puts the computer in a ready-to-dive mode and ensures that Smart

starts to monitor the dive as soon as a depth of 1.2m/4ft is reached. If you start the dive without putting Smart into **pre-dive** mode, it will start to monitor the dive automatically but with a delay of up to 20 seconds from immersion.



The pre-dive display shows p factor and altitude settings, time of day, surface interval since the last dive and temperature. If Nitrox is set, it will show the O₂ percentage and the corresponding MOD. A small S or F to the left of the middle row indicates the water type.

NOTE

- If you remain in pre-dive for longer than 3 minutes without pressing any button, Smart will revert to normal watch function.
- It is recommended to put Smart into pre-dive before submerging. Not doing so can lead to a delay of up to 20s in Smart monitoring the dive.

2.1. CHRONO



Press and hold the upper button to enter this menu. The middle row now features a stopwatch while the time of day has moved to the bottom row. Press the upper button to start and stop the time, then press the lower button to reset the time to zero. Press and hold the lower button to exit from the stopwatch function (this stops and resets the stopwatch if it was running or stopped at a non-zero value upon exiting).



The stopwatch features also a split-time function: by pressing the lower button while the stopwatch is running, the time itself will freeze while **SPL** blinks in the top row and the stopwatch continues in the background. Every time you press the lower button the split time will refresh with the new value. Press and hold the lower button to exit the split-time mode. Note that while in split-time mode, the upper button has no function.

2.2. PRE DIVE



Press and hold the upper button to enter this menu and put Smart into the ready-to-dive mode.

2.3. MODE



Here you can define the type of gas you will be breathing during the dive (air or enriched air nitrox, including multigas). You can also set Smart to bottom timer, in which case Smart will show only time, depth and temperature: it will not carry out any decompression calculation and it will not show any warnings and alarms. You can set Smart also to freediving mode, which in essence is a bottom timer with special features dedicated to free divers.

Press either button to scroll through the four possible options (**AIR**, **EAN**, **bottom timer** or **FREE**), then press and hold the upper button to select it.





AIR is the equivalent of setting **EAN** to 21% and a ppO_2 max of 1.4bar, but simplifies the display a bit by not showing the CNS (its value however is calculated in the background and if needed the 75% warning and the 100% alarm are triggered).

When selecting **EAN**, you are taken to a submenu in which you can define the percentage of oxygen in the mixture (% O_2) and the maximum value of oxygen partial pressure (ppO_2 max) for up to two breathing mixes. The maximum possible value for the ppO_2 max is 1.6bar. Most training agencies recommend not to exceed a value of 1.4bar.



Once inside this menu, press either button to change the O_2 and observe how this affects the maximum operating depth (MOD). Then press and hold the upper button to move on to the ppO_2 max and use either button to change the value, again noticing how this affects the MOD. Press and hold the upper button again to save the setting.



This leads you to the **G2 OFF** screen. Press and hold the lower button to exit the menu or go to section 3.5 for information about diving with more than one gas.



WARNING

- Diving with Nitrox may only be attempted by experienced divers after proper training from an internationally recognized agency.
- Before every dive and after changing the tank, you must make sure that the set oxygen concentration in Smart corresponds to the oxygen concentration in the tank. Setting the wrong oxygen concentration can lead to serious injury or death.

See chapter 3.5 for more information about diving with more than one gas.

2.4. SET



Smart's **SEt** menu allows you to change settings. Once inside this menu, press either button to scroll between two submenus: **SEt dIVE**, where you can set parameters pertaining to the dive, and **SEt tIME**, where you can set parameters pertaining to time and date.



Press and hold the upper button to enter a menu, then press either button to scroll up and down between available options or to increase or decrease the value of a setting. Then press and hold the upper button to confirm the change in setting. Press and hold the lower button to go up one level in the menu tree.

MENU	Description
SEt dIVE	
- LGHT	Allows you to set the duration after which the backlight turns off automatically. You can set this between 1 and 10 seconds.
- P Fct	Allows you to choose between the standard algorithm (P0) and an increasingly more conservative one (P1 , P2).
- Alt	Allows you to set the algorithm into altitude mode when diving in mountain lakes.
- WAtR	Allows you to choose between salt and fresh water.
- UN:tS	Allows you to choose between metric (m , °C) and imperial (ft , °F) units
- FAST	Allows you to turn off the dive violation due to uncontrolled ascent. This is for dive instructors only, who may find themselves in such a situation because of their teaching requirements.
- ALRM	Allows you to turn on or off all audible alarms of Smart.
- ErASE	Allows you to reset the nitrogen saturation to zero, thereby erasing the effects of a previous dive. This is only for people who plan to lend their computer to another diver who has not performed a dive within the last 24 hours.
- dEEP	Allows you to turn off the calculation and display of the deep stop.
SEt tIME	Allows you to set the time format, time and date, wake-up alarm and second time.

2.4.1. SEt dIVE

2.4.1.1. LGht (BACKLIGHT)



Smart has a backlight which can be activated in case of low ambient light. The backlight is activated by pressing and holding the lower button. During a dive, the backlight will stay on for the duration defined in this menu. You can choose between 1 and 10 seconds.

NOTE

- The backlight consumes battery energy: the longer the backlight stays on, the less your battery will last.
- If the **low battery** warning is activated, the backlight will be disabled.

In surface mode, the backlight can be activated by pressing and holding the lower button while the time of day is displayed. The backlight will turn off after 6 seconds without any button operation, which allows you to turn on the light from the time of day mode then enter into menus, change settings, go into the logbook etc.

2.4.1.2. P Fct (P FACTOR)



Smart allows you to set an additional personal safety factor for those circumstances in which you want to be especially cautious, such as after a long period of inactivity or when planning a strenuous dive. In this menu you can choose between the standard algorithm (**P0**), a more conservative version (**P2**) or an intermediate one (**P1**). On the pre-dive, post-dive, logbook and planner displays, P1 is displayed with p+, P2 with p++ and P0 is indicated by the absence of symbols.

NOTE

The choice of **p factor** will be reflected in the dive planner.

2.4.1.3. Alt (ALTITUDE)



Atmospheric pressure is a function of altitude and of weather conditions. This is an important aspect to consider for diving, because the atmospheric pressure surrounding you has an influence on uptake and subsequent release of nitrogen. Above a certain altitude, the decompression algorithm has to change in order to account for the effect of the change in atmospheric pressure. When diving in a mountain lake, find out what the altitude is and choose the altitude range in Smart within the four available options:

- **A0**: from sea level to approximately 700m/2300ft;
- **A1**: from approximately 700m/2300ft to approximately 1500m/4900ft ;
- **A2**: from approximately 1500m/4900ft to approximately 2400m/7900ft;
- **A3**: from approximately 2400m/7900ft to approximately 3700m/12100ft;

- We do not recommend diving at altitudes above 3700m / 12100ft. If you do, set Smart to **bottom timer** and find appropriate altitude dive tables.

On the pre-dive, post-dive, logbook and planner displays, A1 through A3 are indicated with the mountain symbol filled with 1, 2 or 3 segments while A0 is indicated by the absence of symbols.

WARNING

Diving in mountain lakes without first setting Smart to the proper altitude setting can cause severe injury or death.

2.4.1.4. Watr (WATER)



You can set the computer for **FRESH** water or **SALT** water calibration, depending on where you intend to dive. Setting the wrong water type entails an error in depth measurement of approx 3% (i.e. at a depth of 30m/100ft, a computer set to salt water will show 29m/97ft in fresh water whereas a computer set to fresh water will show 31m/103ft in salt water). Note that this does not affect the proper functioning of the computer, since the computer performs all of the calculations based purely on pressure measurements.

2.4.1.5. UN:tS (UNITS)



You can choose between metric (depth in meters, temperature in °C) and imperial units (depth in feet, temperature in °F).

2.4.1.6. FAST (FAST ASCENT)



A fast (uncontrolled) ascent is defined as one in which a speed of 12 m/min / 40ft/min or higher was maintained over more than two thirds of the way up. This applies to dives deeper than 12m/40ft only. In such an event, due to the potential of harmful bubble formation, Smart locks the computer for 24 hours in order to discourage you from diving again. In this menu,

you have the option to disable the locking up of the computer in the event of an uncontrolled ascent.

WARNING

- An uncontrolled ascent increases your risk of decompression sickness (DCS)
- This feature is intended for very experienced divers only, such as dive instructors, who take full responsibility for the consequences of turning off this function.

2.4.1.7. ALRM (ALARMS)



In this menu you can disable audible alarms.

WARNING

Disabling audible alarms can lead you into potentially dangerous situation and could result in serious injury or death.

2.4.1.8. ErASE (ERASE DESATURATION)



Smart allows you to reset the desaturation in the computer. Any tissue saturation information from a recent dive will be reset to zero and the computer treats the next dive as a non-repetitive dive. This is useful when the computer is loaned to another diver who has not dived in the last 24 hours.

WARNING

Diving after having reset the desaturation is extremely dangerous and is very likely to cause serious injury or death. Do not reset the desaturation unless you have a valid reason to do so.

In order to prevent accidental desaturation reset, you must enter the security code once you decide to proceed with the reset. The security code is 1234.

After entering the security code you will get a confirmation of the successful completion of the operation.

2.4.1.9. dEEP

This menu allows you to turn off the calculation and display of the deep stop, which leads to a clearer display of decompression information in case you are not interested in

performing deep stops anyway. See section 3.3 for more information on deep stops.



2.4.2. SET TIME

This menu allows you to set the time format, time, date, wake-up alarm and second time (t2). Scroll through the options by pressing either button. Press and hold the upper button to edit an option, then press the upper or lower button to modify the blinking value, then press and hold the upper to confirm the new setting.



Smart features a "sleep" mode: in case you don't wear it other than on a dive trip, you can put Smart in sleep mode to reduce battery consumption. To wake up from sleep mode, press either button.



2.5. LOGBOOK



Smart can record the profiles of approximately 35 hours of diving, at a sampling rate of 5 seconds. The information can be transferred using the optional USB clip to PC via the Dive Organizer software or to a Mac via the Divers'

Diary software. In addition, Smart can show most of the information directly on the display.

When you first enter the logbook menu, you will see a summary of all dives performed to date. In particular, the maximum depth ever reached, the total number of dives, the total number of hours spent underwater and the coldest water temperature recorded.



From here, press either button to scroll through all dives in the memory of the computer. The number to the right of the middle row while scrolling through dives is the sequential counter of the logbook (1 being the most recent dive). Press and hold the upper button to view the details of a particular dive. Each dive has three pages of data. Each page has maximum and average depth at the top, while the middle row has max ascent rate and time the dive started on pages 1 and 2, and max ascent rate and time the dive ended on page 3. The bottom row contains date of dive and O₂% on the first page, dive time and minimum water temperature on the second page, and surface interval to previous dive and CNS at end of dive on the third page.



Press either button to scroll between the pages of information, press and hold the lower button to return to the list of the main logbook menu.

2.6. DIVE PLANNER



This function allows you to scroll through the no decompression limits, automatically taking into account the current residual saturation of the tissue compartments from a preceding dive. The times shown when scrolling the no decompression limits take into account the information entered under the set dive submenu: water type, altitude, personal safety factor, Air, or in the case of Nitrox, the values for the oxygen percentage and its maximum partial pressure. For each depth, the display shows the corresponding no deco time expressed in minutes. If Nitrox mode is selected, the maximum depth shown in the planner is limited by the MOD.

NOTE

The dive planner is enabled only if either air or nitrox mode is set

2.7. PC



This submenu allows you to download your dive data to a PC or Mac. Press and hold the upper button and the display will show **PC ready**, symbolizing that Smart is ready to communicate.

2.8. INFO



This submenu provides information about the hardware and software of your Smart and about the status of the battery (two segments

inside the battery means the battery is ok, one segment means the battery is low but the watch functions as dive computer, one segment blinking means the battery is too low for use as dive computer).

• 3. DIVING WITH SMART

3.1. A FEW WORDS ABOUT NITROX

Nitrox is the term used to describe breathing gases made of oxygen-nitrogen mixes with an oxygen percentage higher than 21% (air). Because Nitrox contains less nitrogen than air, there is less nitrogen loading on the diver's body at the same depth as compared to breathing air.

However, the increase in oxygen concentration in Nitrox implies an increase in oxygen partial pressure in the breathing mix at the same depth. At higher than atmospheric partial pressures, oxygen can have toxic effects on the human body. These can be lumped into two categories:

- Sudden effects due to oxygen partial pressure over 1.4bar. These are not related to the length of the exposure to high partial pressure oxygen, and can vary in terms of the exact level of partial pressure they happen at. It is commonly accepted that partial pressures up to 1.4bar are tolerable, and several training agencies advocate maximum oxygen partial pressures up to 1.6bar.
- Long exposure effects to oxygen partial pressures over 0.5bar due to repeated and/or long dives. These can affect the central nervous system, cause damage to lungs or to other vital organs.

Smart keeps you safe with respect to these two effects in the following ways (as long as it is set to either **air** or **nitrox**):

- Against sudden effects: Smart has an MOD alarm set for a user-defined ppO_2 max. As you enter the oxygen concentration for the dive, Smart shows you the corresponding MOD for the defined ppO_2 max. The default value of ppO_2 max from the factory is 1.4bar. This can be adjusted to your preference between 1.2 and 1.6bar. Please refer to section 2.1 for more information on how to change this setting. If Smart is set to air, the ppO_2 max is set to 1.4bar by default.
- Against long exposure effects: Smart "tracks" the exposure by means of the CNS% (Central Nervous System). At levels of 100% and higher there is risk of long exposure effects, and consequently Smart will activate an alarm when this level of CNS% is reached. Smart also warns you when the CNS level reaches 75%. Note that the CNS% is independent of the value of ppO_2 max set by the user.

3.2. ALARMS

Smart can alert you of potentially dangerous situations. There are five different alarms:

- Ascent rate alarm;
- Exceeding a safe ppO_2 /MOD;
- CNS =75%;
- Missed decompression stop;
- Low battery during the dive

⚠ WARNING

When in bottom timer mode, all warnings and all alarms are OFF aside for the low battery alarm.

NOTE

- Alarms are both visual and audible, as described in detail below.
- Ascent rate alarm has priority over other alarms if they are triggered simultaneously.

3.2.1. ASCENT RATE

As soon as depth decreases Smart activates the ascent rate control algorithm and displays the calculated value. This is shown to the very left in the middle row of the display.

⚠ WARNING

A rapid ascent increases the risk of decompression sickness.

If Smart determines an ascent rate of 10m/min / 30ft/min or higher, the fast ascent alarm is triggered: an audible alarm goes off, and **SL OW** appears on the display. This persists until the ascent rate is reduced to 10m/min / 30ft/min or less.



If the ascent rate exceeds 12m/min / 40ft/min at a depth below 12m / 40ft, **SLOW DOWN!** appears and the speed value blinks. If a speed in excess of 12m/min / 40ft/min is maintained for two thirds or more of the depth at which the alarm was first triggered, Smart considers it a dive violation and the display will show the steady **SLOW DOWN!** symbol.



In this case, if the diver attempts a repetitive dive after surfacing, Smart will only function as a depth gauge and timer (bottom timer mode), and will display **SLOW DOWN!** on the screen throughout the dive.



3.2.2. MOD/ ppO_2

⚠ WARNING

- The MOD should not be exceeded. Disregarding the alarm can lead to serious injury or death.
- Exceeding a ppO_2 of 1.6bar can lead to sudden convulsions resulting in serious injury or death.

When the diver reaches a depth at which the ppO_2 of the inspired gas exceeds the maximum limit entered in the corresponding setting (from 1.2 to 1.6bar), an audible alarm goes off, the current depth starts to blink and the value of the MOD is shown to the right of the current depth.



The alarm persists until the diver has ascended enough for the ppO_2 to return within the set limit.

⚠ WARNING

When the MOD alarm is triggered, ascend immediately until the alarm stops. Failure to do so could result in serious injury or death.

3.2.3. CNS = 75%

⚠ WARNING

When the CNS reaches 100% there is danger of oxygen toxicity. Start procedure to terminate the dive.

Oxygen toxicity exposure is tracked on Smart by means of the CNS% based on currently accepted recommendations for exposure limits. This toxicity is expressed as a percentage value which ranges from 0% to 100%. When the value reaches 75%, an alarm goes off and CNS value blinks on the screen. Additionally the CNS becomes the default item in the lower right corner: if you call up other information such as the temperature or the time of day, after 8 seconds the CNS appears again. Ascend to shallower depth to decrease oxygen loading and consider terminating the dive.



When the oxygen toxicity level reaches 100% the alarm message and the audible signal are repeated for 5 seconds in one-minute intervals after the first occurrence and for as long as the value of CNS stays at or above 100%. Consider terminating the dive immediately!

WARNING

Diving with oxygen toxicity at levels of 75% or greater may put you into a potentially hazardous situation, which could result in serious injury or death.

3.2.4. MISSED DECOMPRESSION STOP

WARNING

Violating a mandatory decompression obligation may result in serious injury or death.


If you ascend above the decompression stop depth by more than 0.3m (1ft), a downward pointing triangle appears, an audible alarm goes off and both the current depth and the depth of the deco stop start blinking. This alarm remains active until you return to the correct depth.




WARNING

- When the missed deco stop alarm is triggered, desaturation of the simulated tissue compartments is halted and resumes only when the diver returns to the correct stop depth.
- Never ascend above the displayed decompression stop depth.

3.2.4.1. MISSED DECO STOP MODE

If the stop depth is exceeded by more than 1m (3ft) for more than three minutes, Smart considers it a dive violation and the display will show .

In this case, if the diver attempts a repetitive dive after surfacing, Smart will function only as a depth gauge and timer (bottom timer mode), and it will display  on the screen.



3.2.5. LOW BATTERY

If Smart detects that the battery power level is safe for diving but without much reserve left, it will show the steady battery symbol on the display and the backlight will be disabled. If the level of the battery decreases to the point of making it unsafe to dive, the battery symbol starts blinking.



NOTE

The behavior of the battery is strongly influenced by temperature. It is therefore possible for the battery alarm to appear and to subsequently disappear again for a long time.

WARNING

When the blinking battery symbol appears, you should stop the dive, safely, without delay.

WARNING

When the blinking battery appears in watch mode, Smart will not function as a dive computer.

3.3. DISPLAY INFORMATION

Upon immersion, if Smart was set to pre-dive, it will immediately start monitoring the dive. Otherwise, it will turn on automatically within 20 seconds of having reached a depth of 1.2m/4ft.



The following information is shown:

- current depth
- max depth
- no deco time (or depth and duration of deepest stop and total ascent time in case of decompression dives)
- dive time
- temperature
- nitrogen saturation bar graph

By pressing the upper button, you can modify the information displayed in the top row. At each button press, the screen cycles through max depth, average depth, MOD (nitrox only) and an empty field.

By pressing the lower button, you can modify the information displayed in the bottom row. At each button press, the screen cycles through temperature, oxygen percentage, CNS, stopwatch (in lieu of the dive time) and time of day (in lieu of the dive time; the latter has a 4-second time out after which the dive time is displayed again). To reset the stopwatch, press and hold the upper button while the stopwatch is displayed.

The **depth** is given in 10cm resolution until 99.9 meters, after which it is given in 1m resolution. When the depth is displayed in feet, the resolution is always 1 foot. At a depth shallower than 1.2m/4ft, the display shows ---. Maximum possible depth is 150m/492ft.

The **dive time** is displayed in minutes. If during the dive you ascend to the surface, the time spent on the surface will only be counted if you descend again below 1.2m/4ft within 3 minutes. This allows for brief periods of orientation. While on the surface, the time will not show as progressing but it is running in the background. As soon as you submerge, the time will resume, including the time spent on the surface.

The **no deco time** is calculated in real time and updated continuously. Maximum displayed no deco time is 999 minutes. If you remain at depth beyond a no deco time of zero minutes, you will enter into decompression: you can no longer make a direct ascent to the surface and Smart displays a **MANDATORY** decompression stop. Instead of a no deco time of zero minutes, you will enter into decompression: you can no longer make a direct ascent to the surface and Smart displays a **MANDATORY** decompression stop. Instead of a no deco time of zero minutes, it shows you the depth and duration of the deepest stop and the total ascent time (**ASC**), which includes each decompression stop and the time required to travel the vertical distance to the surface at a rate of 10m/min / 33ft/min. **ASC** includes the duration of deep stops as well.

DEEP, DECO and SAFETY stops:

- A **SAFETY** stop is generated as soon as the depth of the dive exceeds 10m / 33ft. It has a duration of 3 minutes and it is carried out between depths of 6m / 20ft and 3m / 10ft at the end of a dive prior to surfacing. Such stop is **NOT** mandatory but **HIGHLY RECOMMENDED**.

- **DECO** stops are generated progressively as you stay down beyond the no deco time. **DECO** stops are **MANDATORY**.
- **DEEP** stops are generated as you approach the no deco limit. You can either have one 2-minute stop or two 1-minute stops. **DEEP** stops are **NOT** mandatory. Deep stops are indicated to the left of the no deco time or as first (deepest) stop of a deco dive. You can turn off the deep stops in the SET DIVE/DEEP menu in which case no deep stop is calculated nor displayed.



WARNING

During all dives, perform a safety stop between 3 and 6 meters/10 and 20 feet for 3 minutes, even if no decompression stop is required.

Upon reaching the optimum range for carrying out a deep stop (+/- 1m/3ft of the displayed depth) or safety stop (between 6m/20ft and 3m/10ft), a countdown timer appears to indicate the progress of the stop.



For **DECO** stops, since the duration is a function of the exact depth, only the minutes are shown.

During a decompression stop, the following symbols may appear:

- ▲ : optimal range for the decompression stop;
- ▼ : above decompression stop depth, descend immediately!

The **nitrogen bar graph** is on the right side of the display. It represents nitrogen saturation in the leading tissue compartment. The bar graph is made of six segments, which gradually fill during the dive. The more black segments you see, the closer to the no deco limits you are. As you enter a situation of mandatory decompression stop, all segments will be black.

During a surface interval, the segments will gradually turn off as Smart tracks the offgassing of your tissues.

Ascent/descent rate: in presence of a depth change in excess of 80cm / 3ft, Smart calculates the corresponding ascent or descent speed and displays it at the very left of the middle row of the display, for the duration of the ascent or descent both numerically in m/min or ft/min and graphically with a series of dots, each dot representing 2m/min or 6ft/min.

3.4. AFTER THE DIVE



Upon returning to the surface, Smart first goes into the so-called surfacing mode. This mode allows you to resume your dive after a brief period of orientation. The screen shows a 3-minute countdown.

If you submerge again before the 3-minute countdown is over, the dive time will resume from where it left off, including the time spent on the surface. If you do not submerge before the end of the countdown, Smart considers the dive finished, records the data to the logbook and reverts to the so-called post-dive mode.



The post-dive screen shows the following information:

- The remaining desaturation time (**DESAT**): this is calculated by the decompression model in the computer. Any dive started while there is remaining desaturation on your computer is considered a repetitive dive, meaning that Smart accounts for the pre-existing nitrogen load in your body.
- The no-fly time (**NO-FLY TIME**): this is the time during which an exposure to the reduced pressure inside the cabin of an airplane could cause decompression sickness. Smart employs, as recommended by NOAA, DAN and other agencies, a standard 12-hour (no-deco non-repetitive dives) or 24-hour (deco and repetitive dives)

countdown. There are two special cases:

- if the **DESAT TIME** is longer than the **NOFLY TIME**, Smart automatically sets the **NO-FLY TIME** to be equal to the **DESAT TIME**;
- the **DESAT TIME** could be shorter than the **NO-FLY TIME**, which would imply that you cannot fly although you are desaturated. This is simply the consequence of the desaturation time being calculated by the algorithm based on the actual dive profile, while the no-fly time is an accepted standard in the diving industry. Since the real effect of flying after diving has never been fully investigated, this approach fits with our philosophy.

WARNING

Flying while Smart displays ✖ can result in serious injury or death.

- The surface interval (**SURF INT**): this is displayed from the moment the dive is closed (3 minutes after surfacing) for as long as there is remaining desaturation or no-fly time on the computer.
- In case of a dive violation, the corresponding symbol (**SLOW DOWN!**) is shown.

In addition, the bar graph shows the calculated nitrogen load in the leading tissue. You can use this to gauge your progress in getting rid of nitrogen as the surface interval grows. Smart continues to perform decompression-related calculations (nitrogen release), for as long as there is desaturation time left.

3.5. DIVING WITH MORE THAN ONE GAS MIXTURE

WARNING

- Diving with more than one gas mixture represents a much higher risk than diving with a single gas mixture, and mistakes by the diver may lead to serious injury or death.
- During dives with more than one gas mixture, always make sure you are breathing from the tank that you intend to breathe from. Breathing from a high oxygen concentration mix at the wrong depth can kill you instantly.
- Mark all your regulators and tanks so that you cannot confuse them under any circumstance.
- Before each dive and after changing a tank, ensure that each gas mixture is set to the correct value for the corresponding tank.

Smart enables you to use two gas mixtures during the dive (air and Nitrox only). The two mixtures are labeled G1 and G2 and must be in ascending order of oxygen content, i.e. G1 has the lowest oxygen concentration, and G2 has the highest oxygen concentration.

WARNING

It is not possible to switch to a gas at a depth at which the oxygen partial pressure for that gas is greater than the set maximum value.

NOTE

The MOD for G2 is the switch depth for the corresponding gas. This is what Smart uses for its calculation, alarms and suggested switch points.

3.5.1. SETTING MORE THAN ONE GAS

The characteristics of the gases must be entered in the computer before the dive. It will then be your responsibility to tell Smart which gas is currently being used during the various phases of the dive.

To use multiple gases, you will need to enable the gases and set the oxygen percentage and the ppO_2 max for each one. Keep in mind that the MOD for G2 is the depth at which Smart will prompt you to perform the gas switch (see section 3.5.2 below). To enable G2, press the upper button when G2 OFF is displayed and it will change to G2 ON. Now press and hold to confirm it. This will lead you to a display in which you can set the $O_2\%$ and ppO_2 /MOD for G2 in a manner completely similar to G1.



3.5.2. SWITCHING GAS

Smart always begins the dive with G1, which has the lowest percentage of oxygen. When during the ascent you reach the depth corresponding to the MOD of G2, Smart sounds an audible signal and the oxygen concentration of G1 starts to blink in the lower right corner.



Press the upper button while this indication is blinking to initiate the gas switch: the oxygen percentage of G2 starts to blink in lieu of that of G1, and in the top right corner the letters MOD and the value of the MOD for G2 appear, blinking.



Press and hold the upper button to confirm the switch to G2, or press the lower button to cancel the gas switch and stay with G1. In both cases the set oxygen concentration will be displayed steadily in the lower right corner of the screen, and within 20 seconds the ascent time is updated to reflect the higher oxygen concentration in the breathing gas.



NOTE

- Smart will allow the change only if the depth is shallower than the MOD corresponding to the set ppO_2 max.
- Smart will not allow the gas switch if you are deeper.
- The automatic blinking of the oxygen concentration of G1 lasts only for 20 seconds. You can however initiate the gas switch at any time by pressing and holding the upper button when the oxygen concentration is displayed in the lower right corner, then switch to G2 as long as your depth allows the gas to be activated.

3.5.3. SPECIAL SITUATIONS

3.5.3.1. SWITCHING BACK TO A GAS MIXTURE WITH LOWER OXYGEN CONCENTRATION

There may be situations in which you have to switch back to a gas with lower oxygen concentration than what you are currently breathing. This can happen for instance if you want to descend deeper than the MOD for the current gas, or if for instance you have run out of gas in G2 during the decompression. To do so, simply press the lower button until the oxygen concentration is displayed in the lower right corner, then press and hold the upper button to initiate the gas switch. From here on the procedure is the same as described in 3.5.2.

3.5.3.2. SUBMERGING BELOW THE MOD AFTER A GAS SWITCH

If after having switched to a gas mixture with a higher oxygen concentration you inadvertently drop again below the MOD for that mixture,

the MOD alarm will immediately go off. Either switch back to a gas mixture suited for that depth, or ascend above the MOD for the gas mixture you are breathing from.

3.6. BOTTOM TIMER MODE

When Smart is set to **bottom timer** mode, it will only monitor depth, time and temperature, and will not carry out any decompression calculation. Maximum displayed dive time in gauge mode is 999 minutes. You can only switch to bottom timer mode if the computer is completely desaturated. All audible and visual alarms, other than the low battery alarm, are turned off.

WARNING

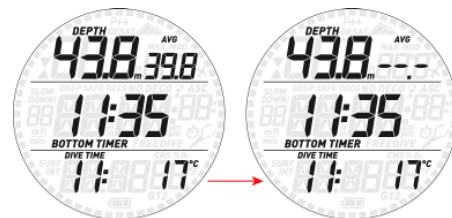
Dives in bottom timer mode are performed at your own risk. After a dive in bottom timer mode you must wait at least 24 hours before diving using a decompression computer.

During a dive in bottom timer mode, the following information is displayed:

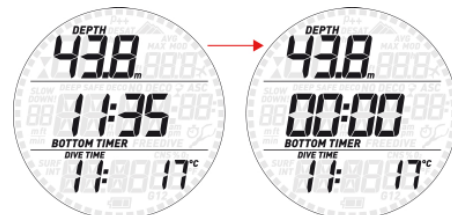


- current depth
- max depth
- stopwatch
- dive time
- temperature
- in case of an ascent: ascent speed (in m/min or ft/min).

Press the upper button to toggle between max depth, average depth and an empty field. Press the lower button to bring up the time of day in lieu of the dive time (the display reverts back to dive time after 4 seconds). While the average depth is displayed, pressing and holding the upper button resets the average depth.



From any other display, press and hold the upper button to restart the stopwatch.



3.6.1. DIVE VIOLATION INDUCED BOTTOM TIMER MODE

The following violations can occur during an Air or Nitrox dive:

- Uncontrolled ascent.
- Missed deco stop.

In case of a violation, Smart will restrict the use of Air and Nitrox mode for 24 hours, and will only allow operation in bottom timer mode.

3.7. FREE DIVE MODE

Smart features a free diving mode with dedicated features specifically for breath hold divers. In free diving, we differentiate between immersion and dive session. An immersion is the individual trip below the water surface. The dive session is a group of immersions performed in sequence without exiting the free dive mode.

⚠ WARNING

The practice of free diving exposes divers to different hazards from those associated with scuba diving. The diver should be aware of these hazards and understand how to avoid them.

⚠ WARNING

Do not practice free diving within 24 hours of having performed a scuba dive.

3.7.1. SETTINGS

Go into the MODE menu and from here select FREE then press and hold the upper button to confirm your choice. This will automatically lead you into the settings menu for free diving. Press and hold the lower button to exit if you don't need to change any of the settings. Else scroll through the available settings pressing either button. To edit a setting, press and hold the upper button, then press either button to modify the setting, then press and hold the upper button again to confirm the change. The available settings are:

AL.beep

This allows you activate or deactivate all warnings at once.



Dive time

If active, when the dive time reaches the set limit an audible alarm will go off and the dive time will blink on the display.



Surf int

If active, when the surface interval reaches the set limit an audible alarm will go off and the surface interval will blink on the display.



Max

If active, upon reaching the depth defined in the setting an audible alarm will go off and the depth will blink on the display.



Int

This allows you to set a depth interval at which a short audible sequence is activated. For instance, if you set a depth interval of 5m/15ft, the audible sequence will go off at 5m/15ft, 10m/30ft, 15m/45ft etc.



3.7.2. USING SMART ON A FREE DIVE

Put Smart into PRE DIVE so that as soon as you submerge past 1.2m/4ft it will start monitoring your dive. Smart will show the current depth in the top row, the dive time in minutes and seconds in the middle row and the water temperature in the bottom row. Press the lower button and the time of day will appear for a few seconds to the left of the temperature. Press and hold the lower button to activate the backlight.



3.7.2.1. SURFACING BETWEEN IMMERSIONS

When returning to a depth of less than 0.8m/3ft, Smart switches to surface mode. The display will show the maximum depth of the dive that just ended in the top row, its duration in the middle row, and the surface time in minutes and seconds in the bottom row together with the minimum temperature recorded during the immersion. The number to the right of the max depth is the sequential counter of the immersions in the dive sequence.



By pressing the upper button the display switches to maximum depth of the dive session in the top row, maximum dive time of the session in the middle row and minimum temperature during the session in the bottom row.

Press and hold the upper button to exit free dive mode. Do this only at the end of your dive session so that your immersions are all logged together (see section 3.7.3 for information about the logbook in free dive mode). Note that Smart will exit the free dive mode automatically after 10 minutes without immersion.

3.7.3. LOGBOOK IN FREE DIVE MODE

Smart separates scuba dive logs from free dive logs, hence there is a dedicated summary page for each. As you enter the logbook function, the two alternate every 4 seconds. The free dive summary shows max depth in the top row, longest dive time in the middle row, number of sessions and minimum temperature in the bottom row.



Upon pressing the upper button, individual logs will be shown in chronological sequence. Scuba dives are described in section 2.5. Free dives are grouped in sessions, and for each session there are two summary pages: the

first shows the maximum depth of the session, the time the session started and the date, in addition to a sequential counter;



Press and hold the upper button to reach the second summary page, which shows the maximum depth and the number of immersions of the session in the top row, the time the session started and the sequential counter in the middle row, the longest dive time and the minimum temperature of the session in the bottom row.



Press and hold the upper button to enter the session and see max depth and sequential counter of the immersion at the top, dive time in the middle, surface interval prior to immersion and minimum temperature of the immersion at the bottom.



Press either button to view the details of other immersions within the same session or press and hold the lower button to exit the session log.

• 4. TAKING CARE OF SMART

4.1. TECHNICAL INFORMATION

Operating altitude:

- with decompression – sea level to approximately 3700m/12100ft
- without decompression (gauge mode) – at any altitude

Decompression model: RGBM Mares-Wienke (10 tissues)

Depth measurement:

- Max displayed depth: 150m/492ft
- Resolution: 0.1m until 99.9m and 1m at depth deeper than 100m. Resolution in ft is always 1ft
- Temperature compensation of the measurement between -10 °C to +50 °C / 14 °F to 122 °F

- Accuracy from 0 to 80m/262ft: 1% ±0.2m/1ft
- Temperature measurement:
 - Measurement range: -10 °C to +50 °C / 14 °F to 122 °F
 - Resolution: 1 °C / 1 °F
 - Accuracy: ± 2 °C / ± 4 °F

Clock: quartz clock, time, date, dive time display up to 999 minutes

Oxygen concentration: adjustable between 21% and 99%, ppO₂ max range between 1.2 and 1.6bar

Logbook memory: 35 hours of dive profile at 5-second sampling rate

Operating temperature: -10 °C to +50 °C / 14 °F to 122 °F

Storage temperature: -20 to 70 °C / -4 to 158 °F

Display:

- Diagonal: 31mm / 1 ¼ inch
- Mineral glass

Power supply:

- CR2430 user-replaceable battery
- battery life: 800-1000 dives in one year, 200-300 dives over two years, 50 dives over 3 years. If sleep mode is activated between dive sessions, 300 dives over 6 years. Actual battery duration depends on the usage of the backlight and the water temperature.

4.2. MAINTENANCE

The depth accuracy should be verified by an authorized Mares dealer every two years. Aside from that, Smart is virtually maintenance free. All you need to do is rinse it carefully with fresh water after each dive (avoid any chemical products) and replace the battery when needed. To avoid possible problems with your Smart, the following recommendations will help assure years of trouble free service:

- avoid dropping or jarring your Smart;
- do not expose Smart to intense, direct sunlight;
- do not store Smart in a sealed container, always ensure free ventilation.

NOTE

If you notice signs of moisture on the inner wall of the mineral glass, take your Smart immediately to an authorized Mares service center.

WARNING

The mineral glass is not exempt from scratches resulting from improper use.

WARNING

Do not blow compressed air onto Smart, because it could damage the pressure sensor area.

4.2.1. REPLACING THE BATTERY IN SMART

Replacing the battery is a delicate operation, and requires close attention. We suggest that you visit an authorized Mares center. Mares declines all responsibility for any damage caused by replacing the battery.

NOTE

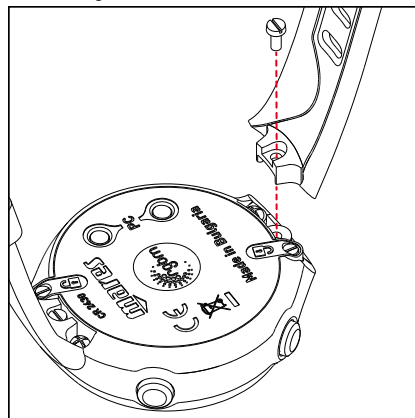
Do not discard the old battery in the environment. Mares adopts a policy of respect for the environment, and urges use of the appropriate separated waste collection service.

WARNING

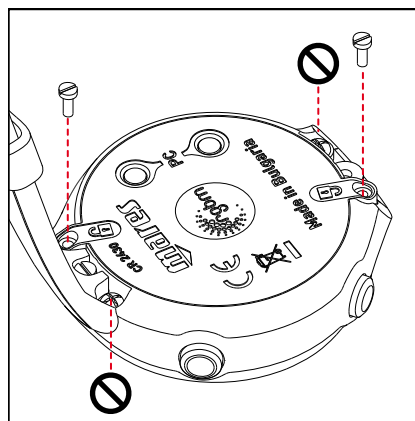
When changing the battery, the o-ring must be replaced. The Smart battery kit PN 44201158 contains a high quality CR2430 battery and a new o-ring. All computer o-rings are inspected individually for integrity.

Follow these steps and refer to the pictures:


- a) Remove the center screw as shown, then remove the strap. Note that only side of the strap needs to be removed. We recommend removing the one without buckle.



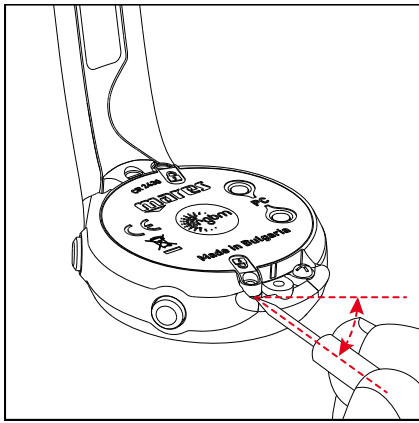
- b) Remove the two screws near the padlock symbols. These hold the battery cover in place.



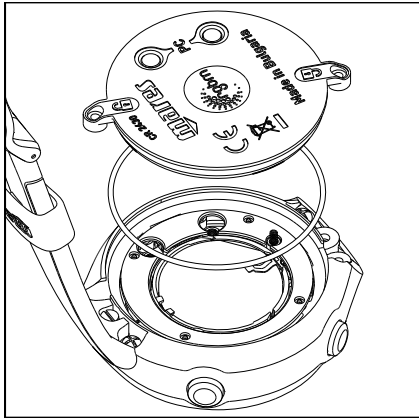
NOTE

Do not remove the screws denoted with !

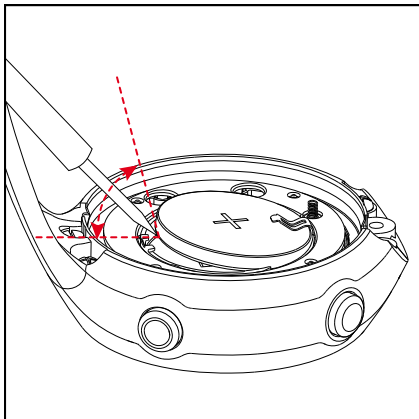
- c) Use a small flat-head screwdriver to pry open and lift the cover on the side where you removed the strap.



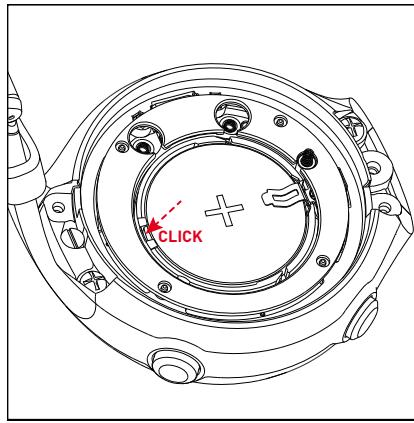
d) Remove the cover then remove the o-ring. Discard the o-ring.



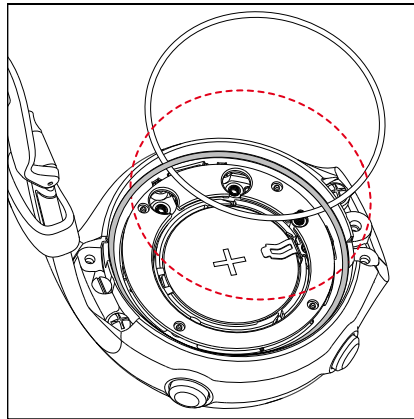
e) Remove the battery by prying it loose with a small flat-head screwdriver.



f) Replace the battery with the new one from the kit. The battery should click in place. Make sure to respect the correct polarity of the battery: the "+" has to be facing outwards.

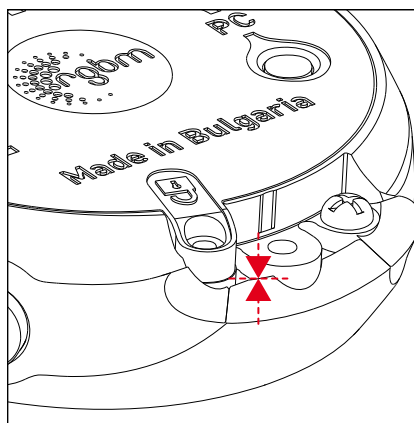


g) Position the new o-ring from the kit in the groove around the battery, ensuring that it sits towards the outer edge of the groove.



h) Position the cover onto the watch case and press it down evenly. Ensure that in the area of the screws the cover touches the watch case.

NOTE
Do not lubricate the o-ring! Lubrication causes the o-ring to twist when the cover is put over it, causing the watch to flood.



i) Keep the cover pressed onto the watch case while hand tightening the two screws. Don't use excessive force while tightening. Ideal torque is 12 N cm / 17 oz-in.
j) Reposition the strap which was removed in step a). For best results put a drop of Loctite 222 onto the thread of the screw. Hand tighten without using excessive force. Ideal torque is 25 N cm / 35 oz-in.

⚠ WARNING

Mares reserves the right to refuse to provide service under the warranty if the maintenance instructions are not followed.

4.3. WARRANTY

Mares products are guaranteed for a period of two years subject to the following limitations and conditions:

The warranty is non-transferable and applies strictly to the original purchaser.

Mares products are warranted free from defects in materials and workmanship: components that, upon technical inspection, are found to be defective, will be replaced free of charge.

Mares S.p.A. declines all responsibility for accidents of any kind that result from tampering or incorrect use of its products.

Any products returned for overhaul or repairs under warranty, or for any other reason, must be forwarded exclusively via the vendor and accompanied with a proof of purchase slip. Products travel at the risk of the sender.

4.4. WARRANTY EXCLUSIONS

Damage caused by water seepage resulting from improper use (e.g. dirty seal, battery compartment closed incorrectly, etc.).

Rupture or scratching of the case, glass or strap as a result of violent impact or blows.

Damage resulting from excessive exposure to elevated or low temperatures.

Damage caused by the use of compressed air to clean the dive computer.

4.5. HOW TO FIND THE PRODUCT SERIAL NUMBER

To see the product serial number, enter the INFO submenu.

• 5. DISPOSAL OF THE DEVICE



Dispose of this device as electronic waste. Do not throw it away with regular rubbish.

If you prefer, you can return the device to your local Mares dealer.



Algorithm

